

# Injection mould service table

The professional injection mould service table has been designed and built for fast, easy, safe and trouble-free opening, servicing and servicing of injection moulds.

## MT table applications

- ✓ Maintenance and cleaning of moulds
- ✓ Preparation moulds for production
- ✓ Repair of moulds
- ✓ Servicing of moulds
- ✓ Mold reviews
- ✓ Hot runner servicing

## Advantages of using the MT table

- ✓ Patented hydraulic hand-assist system for opening and closing moulds
- ✓ Reduction in the number of moldmakers needed
- ✓ handling even of very large and heavy tools Time-saving form service
- ✓ Improved safety and productivity
- ✓ Ensured ergonomics for the operator
- ✓ Many table variants and numerous additional accessories
- ✓ Individual customer modifications possible CE certificate and comprehensive documentation for each table

## MT mould service table - standard version

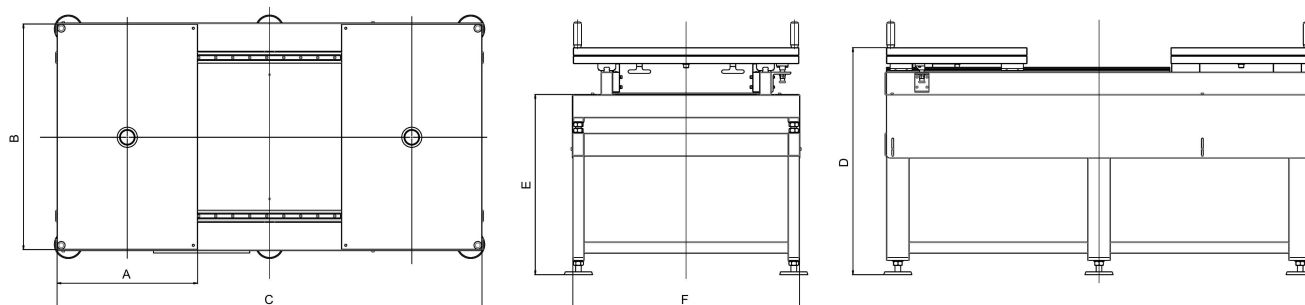


### Table version description

This is the standard design of the mould service table.

### Table design

Standard, very robust, welded frame construction. The table's supporting platforms made of heat-treated 1.2312 steel guarantee high strength and durability. One platform fixed, the other mobile in the X axis. Both platforms rotate through 360° with the possibility of locking their position every 90°. Bumper and brake for end position. Handles for easy handling. Oil-resistant rubber table top for depositing tools during mould handling.



Catalogue no.	Dimensions					Feet
	A	B	C	E	F	Quantity
MT 1 500 / 496 x 346	346	496	1200	800	500	6
MT 2 000 / 546 x 396	396	546	1200	800	500	6
MT 3 000 / 646 x 496	496	646	1500	800	800	10
MT 4 000 / 796 x 496	496	796	1500	800	800	10
MT 6 000 / 996 x 646	646	996	2 000	650	1 000	10
MT 10 000 / 1 200 x 646	646	1 200	2 000	500	1 200	14



Catalogue no.	Options				
	Hydraulic system	Magnetic brackets	Cabinet	Wheels	Side bumpers
MT 1500 / 496 x 346	✓	✓	✓	✓	✓
MT 2 000 / 546 x 396	✓	✓	✓	✓	✓
MT 3 000 / 646 x 496	✓	✓	✓	✓	✓
MT 4 000 / 796 x 496	✓	✓	✓	-	✓
MT 6 000 / 996 x 646	✓	✓	-	-	✓
MT 10 000 / 1 200 x 646	✓	✓	-	-	✓

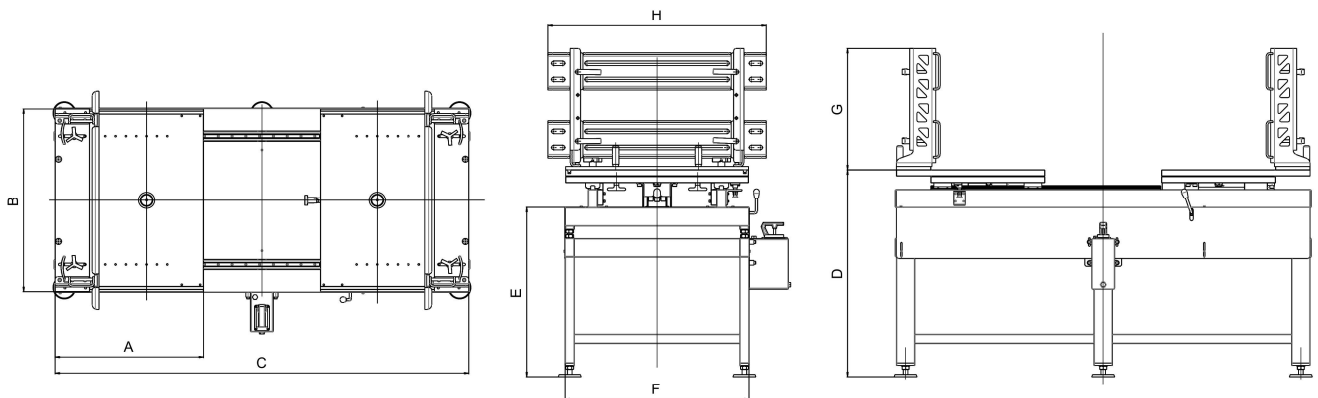
## Mould service table MT / K - version with mechanical brackets

### Description of table version

Standard version of the mould serving table with mechanical clamping brackets. The mould supports are movable and adjustable in all axes necessary for fast and correct tool clamping. In order to maintain an adequate usable surface, the platforms are 150 mm longer for table versions from 1.5 tonnes to 4 tonnes.

### Table design

Standard, very robust, welded frame construction. The table's supporting platforms made of heat-treated 1.2312 steel guarantee high strength and durability. One platform fixed, the other mobile in the X axis. Both platforms rotate through 360° with the possibility of locking their position every 90°. Bumper and brake for end position. Handles for easy handling. Oil-resistant rubber table top for depositing tools during mould handling. Table equipped with mechanical angle brackets for fixing the mould on the table top.



Catalogue no.	Dimensions							Feet
	A	B	C	D	F	H	G	Quantity
MT 1500 / 496 x 496 / K	496	496	1500	800	500	620	500	6
MT 2 000 / 546 x 546 / K	546	546	1500	800	500	670	500	6
MT 3 000 / 646 x 646 / K	646	646	1800	800	800	800	500	10
MT 4 000 / 796 x 646 / K	646	796	1800	800	800	950	500	10
MT 6 000 / 996 x 646 / K	646	996	2 000	650	1 000	1 120	750	10
MT 10 000 / 1 200 x 646 / K	646	1 200	2 000	500	1 200	1 320	750	14

Catalogue no.	Options				
	Hydraulic system	Magnetic brackets	Cabinet	Wheels	Side bumpers
MT 1500 / 496 x 496 / K	✓	✓	✓	✓	✓
MT 2 000 / 546 x 546 / K	✓	✓	✓	✓	✓
MT 3 000 / 646 x 646 / K	✓	✓	✓	✓	✓
MT 4 000 / 796 x 646 / K	✓	✓	✓	-	✓
MT 6 000 / 996 x 646 / K	✓	✓	-	-	✓
MT 10 000 / 1 200 x 646 / K	✓	✓	-	-	✓

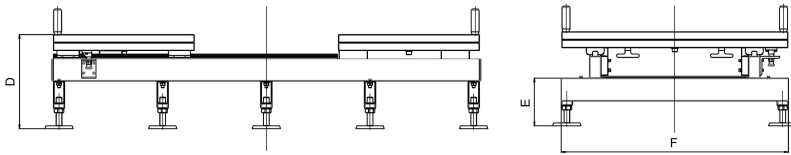
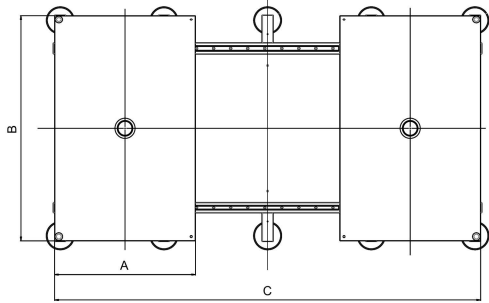
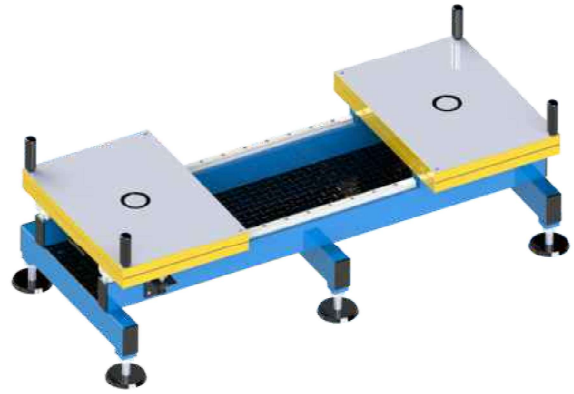
## Mould service table MT / L - low version

### Description of table version

The low version of the mould service table can be used as a stand-alone product. Ideal as an extension to workbenches with hydraulic height adjustment. When ordering this version of the table, it is no longer possible to retrofit it with mechanical angle brackets.

### Table design

Extremely robust, welded, low frame construction. The table's supporting platforms made of tempered 1.2312 steel guarantee high strength and a long service life. One platform fixed, the other mobile in the X axis. Both platforms rotate through 360° with the possibility of locking their position every 90°. Bumper and brake for end position. Handles for easy handling. Oil-resistant rubber table top for depositing tools during mould handling.



Catalogue no.	Dimensions					Feet
	A	B	C	D	F	Quantity
MT 1500 / 496 x 346 / L	346	496	1200	350 - 400	500	6
MT 2 000 / 546 x 396 / L	396	546	1200	350 - 400	500	6
MT 3 000 / 646 x 496 / L	496	646	1500	350 - 400	800	10
MT 4 000 / 796 x 496 / L	496	796	1500	350 - 400	800	10
MT 6 000 / 996 x 646 / L	646	996	2 000	350 - 400	1 000	10
MT 10 000 / 1200 x 646 / L	646	1200	2 000	350 - 400	1200	14

Catalogue no.	Options				
	Hydraulic system	Magnetic brackets	Cabinet	Wheels	Side bumpers
MT 1500 / 496 x 346 / L	✓	✓	-	-	✓
MT 2 000 / 546 x 396 / L	✓	✓	-	-	✓
MT 3 000 / 646 x 496 / L	✓	✓	-	-	✓
MT 4 000 / 796 x 496 / L	✓	✓	-	-	✓
MT 6 000 / 996 x 646 / L	✓	✓	-	-	✓
MT 10 000 / 1200 x 646 / L	✓	✓	-	-	✓

## Mould service table MT / L / K - low version with brackets

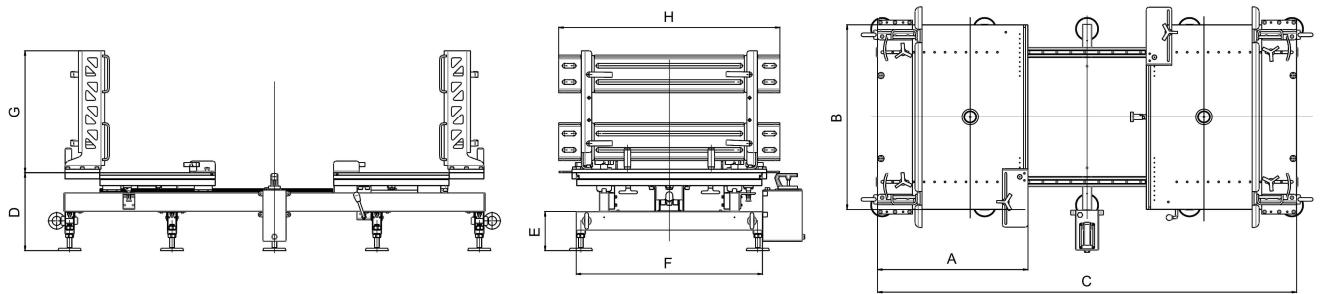
### Description of table version

Low version of the mould service table with mechanical clamping angles. The mould supports are movable and adjustable in all axes required for fast and correct tool clamping. In order to maintain an adequate footprint, the platforms are 150 mm longer for table versions from 1.5 tonnes to 4 tonnes.

### Table design

Extremely robust, welded, low frame construction. The table's supporting platforms made of tempered 1.2312 steel guarantee high strength and a long service life. One platform fixed, the other mobile in the X axis. Both platforms rotate through 360° with the possibility of locking their position every 90°. Bumper and brake for end position. Handles for easy handling. Oil-resistant rubber table top for depositing tools during mould handling. Table equipped with mechanical angle brackets for fixing the mould on the table top.





Catalogue no.	Dimensions							Feet
	A	B	C	D	F	H	G	Quantity
MT 1500 / 496 x 496 / L / K	496	496	1500	350 - 400	500	620	500	6
MT 2 000 / 546 x 496 / L / K	496	546	1500	350 - 400	500	670	500	6
MT 3 000 / 646 x 646 / L / K	646	646	1800	350 - 400	800	800	500	10
MT 4 000 / 796 x 646 / L / K	646	796	1800	350 - 400	800	950	500	10
MT 6 000 / 996 x 646 / L / K	646	996	2 000	350 - 400	1 000	1 120	750	10
MT 10 000 / 1200 x 646 / L / K	646	1200	2 000	350 - 400	1200	1320	750	14

Catalogue no.	Options				
	Hydraulic system	Magnetic brackets	Cabinet	Wheels	Side bumpers
MT 1500 / 496 x 496 / L / K	✓	✓	-	-	✓
MT 2 000 / 546 x 496 / L / K	✓	✓	-	-	✓
MT 3 000 / 646 x 646 / L / K	✓	✓	-	-	✓
MT 4 000 / 796 x 646 / L / K	✓	✓	-	-	✓
MT 6 000 / 996 x 646 / L / K	✓	✓	-	-	✓
MT 10 000 / 1200 x 646 / L / K	✓	✓	-	-	✓

## List of optional accessories

### Hydraulic system

Manual hydraulic system based on a double-acting cylinder, enabling effortless opening and closing of the moulds. Possibility to completely disengage the drive for fully manual movement of the moving platform after overcoming resistance.

### Magnetic brackets

Set of 4 magnetic angle brackets (2 for each half of the mould) for maximum speed and yet fully effective and safe securing on the worktop. Separate switches (knobs) in the X and Z axes, dimensions: 197 x 197 x 48 mm, holding force up to 120 kg for each individual angle bracket.

### Tool cabinet assembly

Option available for tables from 1.5T to 4T.

Suspended cabinet with 2 pull-out drawers on telescopic sliding slides. Constructed from high quality 1 mm thick sheet steel. Keyed central locking system locking all drawers.

### Wheels

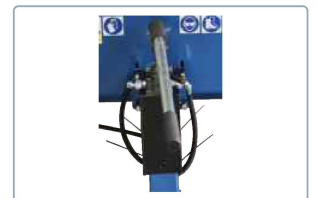
Option available for tables from 1.5T to 3T capacity.

Additional travel system for MT table, consisting of:

- 4 wheelsets, 2 of which are swivelling and fitted with brakes,
- additional table frame reinforcements.

### Side bumpers

Set of side bumpers with position lock, for easier positioning of the mould on the table platform and to allow the mould to be repositioned on the table after it has been removed from the worktop.



# Workshop and service tables

As an highly experienced manufacturer of injection mould servicing and workbenches, we have developed a hybrid design that guarantees full ergonomics and maximum efficiency when performing a wide variety of servicing tasks. Our SWS tables provide both a generous, versatile workspace for numerous tool jobs and fully unobstructed access to all surfaces of the tool being serviced, essential for mould polishing, for example. We carry out implementations based on workbenches with load capacities of up to 3,000 kg or up to 5,000 kg, and each design can be adapted to individual customer needs.



## FEATURES AND ADVANTAGES OF OUR SWS TABLES

- ✓ The hard and robust table top made of tempered 1.2312 steel (approx. 30 HRC) provides a versatile and large working area for a variety of service work,
- ✓ Thanks to the segmented sanding, the working surface is exceptionally smooth and flat, making it easier to carry out any work,
- ✓ An additional rotating work plate guarantees convenient access to all surfaces during tool service work, such as polishing, surfacing, grinding, maintenance or component replacement,
- ✓ Lower shelf for depositing and storing tools
- ✓ The table can be optionally equipped with a tool cabinet and adjustable lighting, and can also be adapted for electrical and pneumatic connection,
- ✓

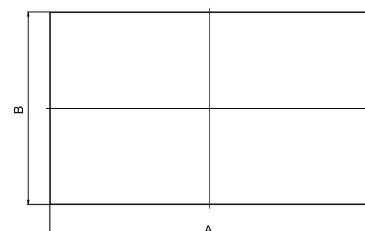
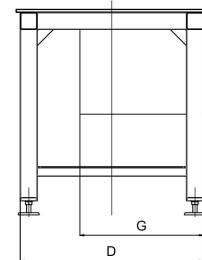
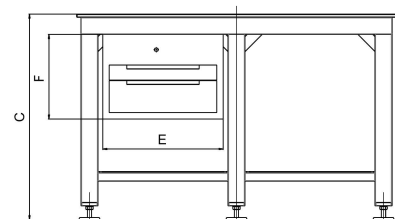
# Workbenches

Our workbench has been carefully designed and manufactured to meet the highest standards. The extremely stable and robust welded construction guarantees safe working and a long service life of the table. Tabletop made of segment-ground plate (steel 1.2312 - approx. 30 HRC) or other material. Dimensions and load capacity can be customised.



## Features of the workbench

- ✓ Very stable and robust welded table construction
- ✓ Highest quality
- ✓ Lower shelf for convenient tool storage
- ✓ Table top in segment-ground plate made of tempered steel 1.2312 (approx. 30 HRC)
- ✓ Stable mounting on adjustable, robust feet
- ✓ Attached is a report of the FEM analysis of the table strength
- ✓ Wide range of table dimensions and load capacities, others available on request



Catalogue no.	Load capacity		Dimensions			Feet	Mass
	kg	A	B	C	quantity	kg	
SW 3 000 / 1500 x 1000	3 000	1500	1000	800	6	300	
SW 3 000 / 2 000 x 1000	3 000	2 000	1000	800	6	380	
SW 3 000 / 2 500 x 1000	3 000	2 500	1000	800	6	450	
SW 3 000 / 3 000 x 1000	3 000	3 000	1000	800	6	530	
SW 5 000 / 1500 x 1000	5 000	1500	1000	800	6	370	
SW 5 000 / 2 000 x 1000	5 000	2 000	1000	800	6	460	
SW 5 000 / 2 500 x 1000	5 000	2 500	1000	800	6	540	
SW 5 000 / 3 000 x 1000	5 000	3 000	1000	800	8	660	
SW 10 000 / 1500 x 1000	10 000	1500	1000	800	6	460	
SW 10 000 / 2 000 x 1000	10 000	2 000	1000	800	6	570	
SW 10 000 / 2 500 x 1000	10 000	2 500	1000	800	8	700	